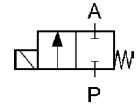


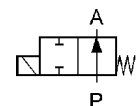
Ports (ISO 228)	Orifice size [mm]	Kv (air at 1 bar) [m³/h]	Minimum differential pressure ABSOLUTE	Valve body	Seal	Mass [kg]	Coil type	Model	Order code 230VAC coil	Fig.
--------------------	----------------------	--------------------------------	--	---------------	------	--------------	--------------	-------	------------------------------	------

2/2 closed when de-energised (NC)

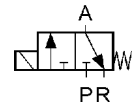
G3/8	7	13	15 mbar	Brass	NBR	0.52	TM35	D224	320717	1
G1/2	10	25	15 mbar	Brass	NBR	0.57	TM35	D240	340481	2
G1/2	12	40	15 mbar	Brass	NBR	0.43	TM30	M2451	301702	3
G3/4	18	65	15 mbar	Brass	NBR	0.76	TM35	M2521	301701	3
G1	25	180	15 mbar	Brass	NBR	1.2	TM35	M2621	301709	3
G6/4	40	330	15 mbar	Brass	NBR	2.75	TM40	M275	370810	3
G2	50	630	15 mbar	Brass	NBR	5.9	TM40	M282	391491	3
G3/4	18	90	15 mbar	Brass	NBR	0.66	TM30	M250	350510	4
G1	25	180	15 mbar	Brass	NBR	1.2	TM30	M260	360518	4
G6/4	40	330	15 mbar	Brass	NBR	2.4	TM30	M270	370511	4


2/2 open when de-energised (NO)

G3/4	18	90	15 mbar	Brass	NBR	0.66	TM30	M250NO	359511	4
G1	25	180	15 mbar	Brass	NBR	1.2	TM30	M260NO	369510	4
G6/4	40	330	15 mbar	Brass	NBR	2.4	TM30	M270NO	379510	4


3/2 Brez napetosti zaprti – 3/2 Bez napona zatvoreni (NC)

G1/4	4.5	7.5	15 mbar	Brass	NBR	0.52	TM35	D32NO/NC	330741	5
G3/8	13	28	15 mbar	Brass	FPM	0.79	TM35	XD329	331762	*
G3/4	20	105	15 mbar	Brass	NBR	1.75	TM40	XD327	331738	*



***See pages 10 and 11!**

ORDERING:

Please state order code, seal and voltage (e.g.: 320717 FPM 24VAC)

or consult our staff.

For easier valve choice use QUESTIONNAIRE on page 40.

OPTIONS:

- EEx me II explosionproof coils
- NPT ports

Other versions on request.

Specifications are subject to change without notice.

TECHNICAL DATA:

Internal parts:	stainless steel
Seals:	NBR, EPDM, FPM
Fluid temperature:	-10°C do +90°C (NBR) -10°C do +130°C (FPM) max +130°C (EPDM)
Ambient temperature:	max +60°C
Viscosity:	max 21 mm²/s
Response time:	5 – 120 ms
Voltages:	230, 115, 48, 24 V 50/60 Hz 24, 12 V DC
Power consumption:	see chapter »Coils«
Duty cycle:	continuous (ED100%)
Cycling rate:	250 – 800 cpm
IP rating:	IP65 (with plug to DIN 43650)



Dimensions [mm]:

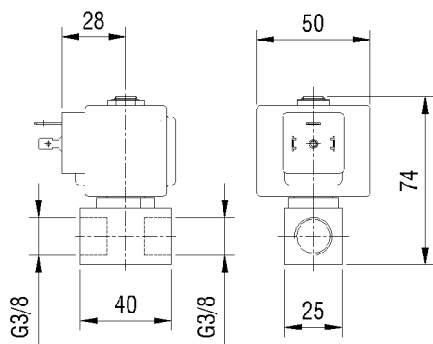


Fig. 1

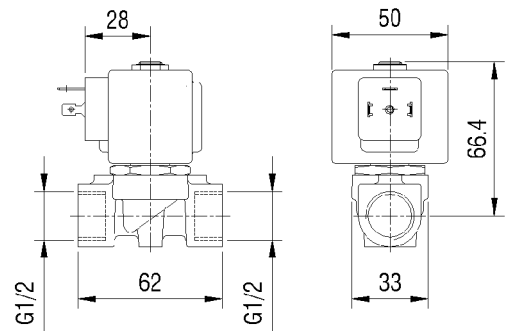


Fig. 2

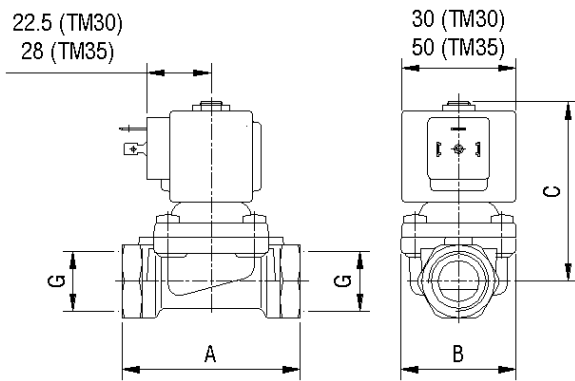


Fig. 3

G	A	B	C	D
1/2"	58	41	74	30
3/4"	78	50	85	50
1"	95	70	90	50
6/4"	132	96	147	65
2"	160	112	154	65

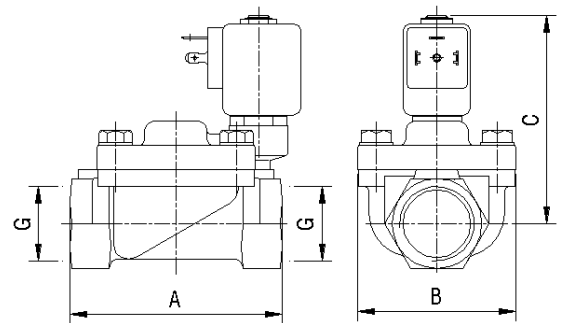


Fig. 4

Model	G	A	B	C
M250	3/4"	78	50	87
M260	1"	95	70	92
M270	6/4"	132	96	104

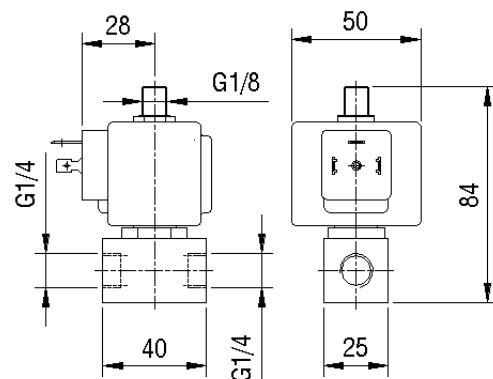


Fig. 5