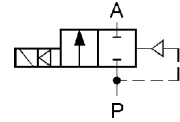


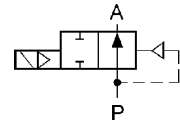
**Closed when de-energised (NC) BRASS BODY**

Ports (ISO 228)	Orifice size [mm]	Kv (water at 1 bar) [l/min]	Differential pressure [bar]		Seal	Mass [kg]	Coil type	Model	Order code 230VAC coil	Fig.
			Min	Max AC*						
G1	25	180	1	20	PTFE	1.25	TM30	B26	<b>316401</b>	1
G6/4	40	350	1	20	PTFE	2.2	TM30	B26	<b>316451</b>	1
G2	50	630	1	20	PTFE	5.3	TM30	B26	<b>316481</b>	1
G1/2	10	20	0.3	50	PA	0.43	TM30	B27	<b>316595</b>	2
	10	20	0.3	50	PTFE	0.43	TM30	B27	<b>316600</b>	2
G1	25	180	2	60	PTFE	1.51	TM35	B27	<b>316261</b>	3
G6/4	40	350	2	50	PTFE	3.1	TM35	B27	<b>316271</b>	3
G2	50	630	2	35	PTFE	6.5	TM35	B27	<b>316291</b>	3
G3/8	8	30	0.8	100	PA	0.43	TM35	BS4	<b>316160</b>	5
G1/2	12	45	1.7	120	PA	1.4	TM35	BS4	<b>316240</b>	4
G3/4	18	110	1.7	80	PA	1.4	TM35	BS5	<b>316230</b>	4



**Open when de-energised (NO)**

G1	25	180	1	20	PTFE	1.25	TM30	B26NO	<b>316411</b>	1
G6/4	40	350	1	20	PTFE	2.2	TM30	B26NO	<b>316421</b>	1
G2	50	630	1	20	PTFE	5.3	TM30	B26NO	<b>316431</b>	1
G1/2	10	20	0.3	50	PA	0.43	TM30	B27NO	<b>316598</b>	2
	10	20	0.3	50	PTFE	0.43	TM30	B27NO	<b>316620</b>	2
G1	25	180	2	60	PTFE	1.51	TM35	B27NO	<b>316263</b>	3
G6/4	40	350	2	50	PTFE	3.1	TM35	B27NO	<b>316281</b>	3
G2	50	630	2	35	PTFE	6.5	TM35	B27NO	<b>316300</b>	3
G3/8	8	30	0.8	100	PA	0.43	TM35	BS4NO	<b>316158</b>	5
G1/2	12	45	1.7	120	PA	1.4	TM35	BS4NO	<b>316241</b>	4
G3/4	18	110	1.7	80	PA	1.4	TM35	BS5NO	<b>316221</b>	4



\*Pressure is lower when DC coil is used!

**ORDERING:**

Please state order code and voltage (e.g.: 316401 24VAC) or consult our staff.  
For easier valve choice use QUESTIONNAIRE on page 40.

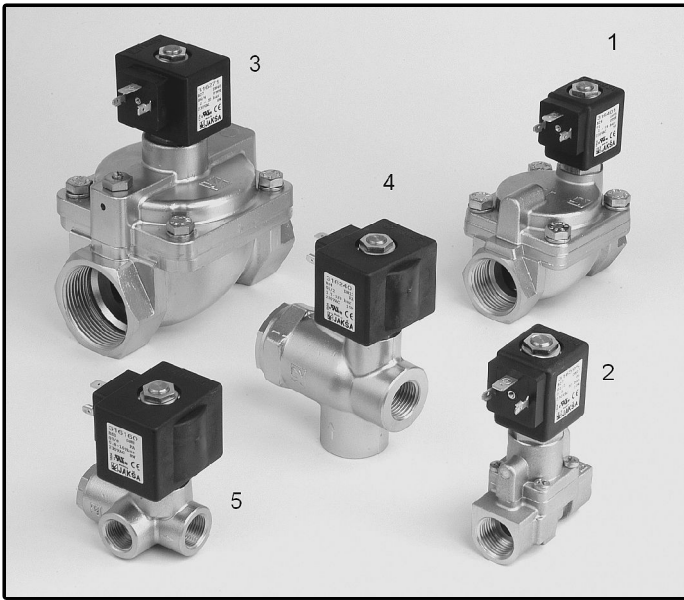
**OPTIONS:**

- EEx me II explosionproof coil
- NPT ports

Other versions on request. Specifications are subject to change without notice.

**TECHNICAL DATA:**

Valve body: brass  
 Internal parts: stainless steel  
 Fluid temperature: -10°C to +100°C (PTFE)  
 -10°C to +90°C (PA)  
 Ambient temperature: max +55°C  
 Viscosity: max 21 mm<sup>2</sup>/s  
 Response time: opening 0.1 – 1 s / closing 0.5 – 5 s  
 Voltages: 230, 115, 48, 24 V 50/60 Hz  
 24, 12 V DC  
 Power consumption: See chapter »Coils«  
 Duty cycle: continuous (ED100%)  
 Cycling rate: 10 – 100 cpm  
 IP rating: IP65 (with plug to DIN 43650)



**Dimensions [mm]:**

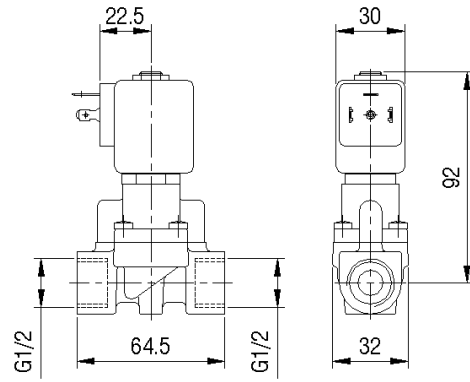


Fig. 2

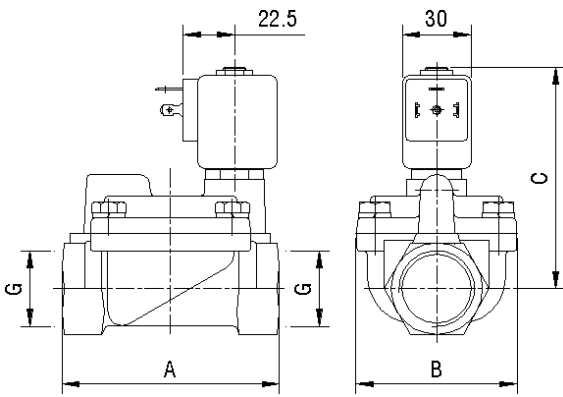


Fig. 1

G	A	B	C
1"	90	70	97
6/4"	132	96	113
2"	160	112	129

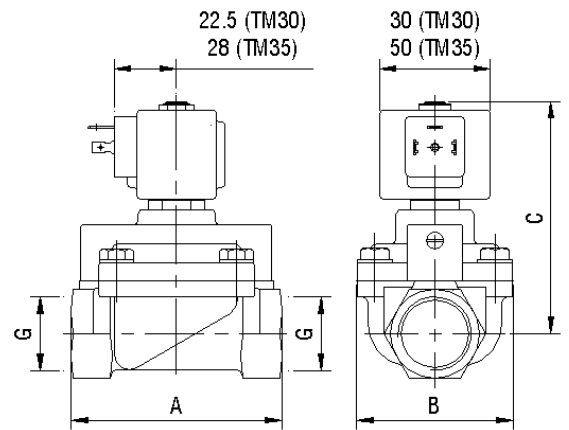


Fig. 3

G	A	B	C
1"	90	70	106
6/4"	132	96	128
2"	160	112	129

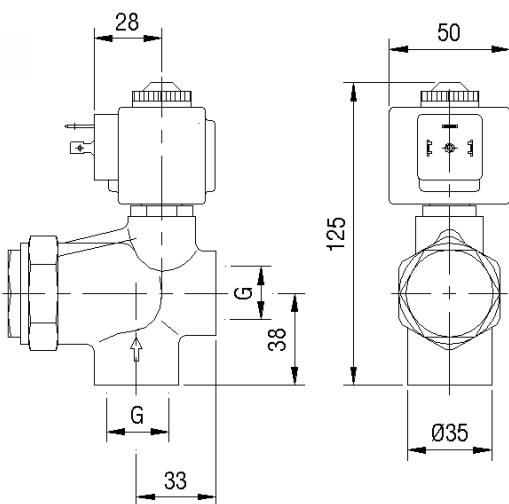


Fig. 4

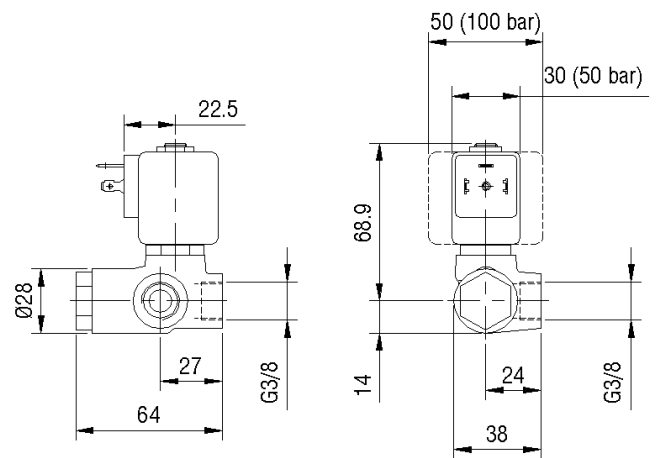


Fig. 5