



Description

Solenoids JAKŠA types TMEx35/A/B/C/D and TMEx40/A/B/C/D are built in explosion protection EEx me II T5 and are used as actuators with JAKŠA solenoid valves.

These solenoids can be used in hazardous areas zone 1 and 2 (presence of explosive gas, vapour and mist).

Note:

According to EN 50014 clause 7.3, exposed, non-conductive area of solenoid housing exceeds the limits of group IIC. Refer to the Instruction sheet AM290100 for prevention of static electrical charging and solenoid cleaning.

Mark of protection:  **EEx me II T4**

Explanation:

II..... Industrial equipment
 2..... Equipment category (for use in hazardous areas 1 and 2)
 G..... Equipment used in potentially explosive atmospheres caused by presence of explosive gas, vapour and mist.
 E..... European Standards and Certificate
 Ex..... Explosion protection
 m..... Type of protection "encapsulation"
 e..... Type of protection "increased safety"
 T5..... Temperature class (T4 or T5, depending on ambient and fluid temperature)

Approval number: SIQ 04 ATEX 187X
Issued by: SIQ, Tržaška cesta 2, 1000 Ljubljana, Slovenia

Technical data:

<i>Type of explosion protection:</i>	Encapsulation + Increased safety
<i>Conformity with standards:</i>	Directive 94/9/EC ("ATEX"); EN 1127-1 : 1998 EN 50014 : 1997 + A1 + A2 EN 50019 : 2000 EN 50028 : 1999
<i>Materials:</i>	Housing and cover of antistatic thermoplastic material, coil, rectifier and fuse encapsulated in epoxy resin
<i>Electrical connection:</i>	Built-in terminal EEx e I/II
<i>Cable gland:</i>	Pg 13.5 EEx e II
<i>Grounding:</i>	Inner and outer grounding bolts galvanically binded to metallic part of solenoid
<i>Coil wire insulation class:</i>	H 180°C
<i>Protection of enclosure:</i>	IP65 (IEC 529)
<i>Fuse:</i>	Built-in cartridge fuse to DIN 61640, IEC 127
<i>Duty cycle:</i>	S1 (continuous, ED 100%)
<i>Power consumption:</i>	TMEx35: 10 W (AC/DC) TMEx40: 15 W (AC/DC)

Maximum allowable ambient and fluid temperatures depending on temperature class (T5/T4):

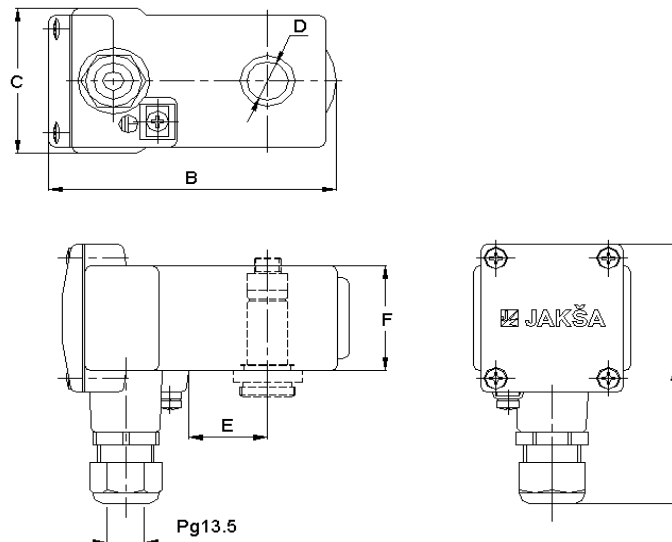
Voltage [V]	TMEx35		TMEx40	
	T5	T4	T5	T4
24	+45°C	+65°C	+50°C	+70°C
48	+55°C	+75°C	+50°C	+75°C
110	+45°C	+65°C	+45°C	+70°C
230	+45°C	+70°C	+40°C	+65°C

Minimum allowable ambient temperature is -20°C.

Ordering information:

Order code	Type	Voltage
290100	TMEx35/D	200 V DC / 230 V AC
290106	TMEx35/C	110 V DC/AC
290102	TMEx35/B	48 V DC/AC
290103	TMEx35/A	24 V DC/AC
290110	TMEx40/D	200 V DC / 230 V AC
290116	TMEx40/C	110 V DC/AC
290112	TMEx40/B	48 V DC/AC
290113	TMEx40/A	24 V DC/AC

Dimensions [mm] and masses [kg]:



Type	A	B	C	D	E	F	Mass
TMEx35	102	105	57	15	28.5	42	0.5
TMEx40	126	110	71	24	33	66	0.95