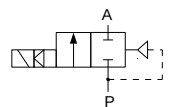
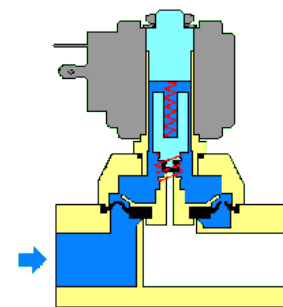
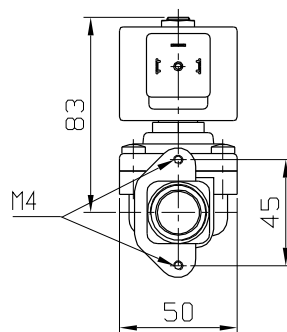
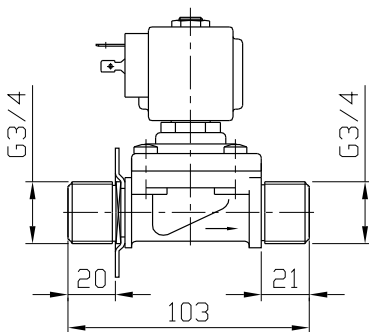




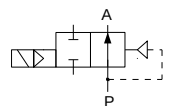
Model M252PA G3/4 DN18 (normally closed)



Ports	Orifice Size [mm]	kv [l/min]	Differential pressure [bar]		Material		Mass [kg]	Coil type	Model	Voltage	Power [W]	Order code
		water at 1 bar	min	max	body	seal						
G3/4	18	54	0	1	PA	EPDM	0.5	TM35	M252PA	230 V AC	8	301631



Model M252PA NO G3/4 DN18 (normally open)



Ports	Orifice Size [mm]	kv [l/min]	Differential pressure [bar]		Material		Mass [kg]	Coil type	Model	Voltage	Power [W]	Order code
		water at 1 bar	min	max	body	seal						
G3/4 Ø20	18	54	0	1	PA	EPDM	0.5	TM35	M252PA NO	12 V DC	9	301658

