



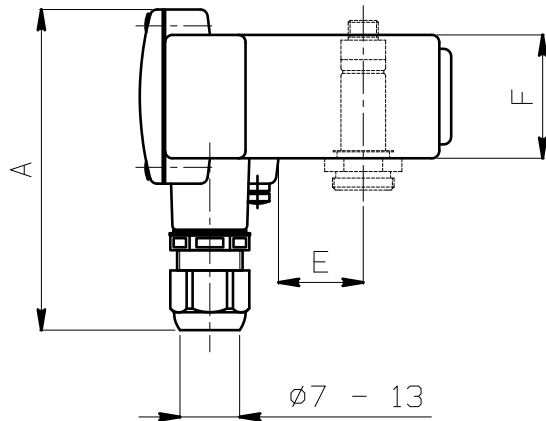
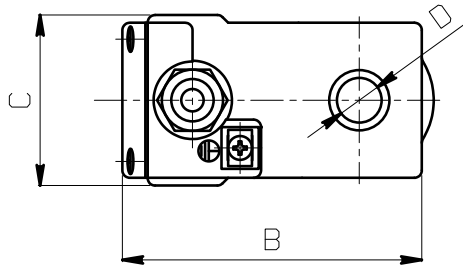
## FEATURES:

- **ALL JAKŠA solenoid valves are available in explosion proof version**
- integrated thermal and cartridge fuses for maximum safety
- integrated, easily accessible terminal (Ex e I/II)
- durable design
- suitable for use in hazardous areas zone 1 and 2 (presence of explosive gas, vapour and mist)

Visit [www.jaksa.si](http://www.jaksa.si) for complete solenoid valve product range!

**TECHNICAL DATA - SOLENOIDS:**

	TMEx35		TMEx40	
	Order code	Power	Order code	Power
Voltage				
230 V AC 200 V DC	290100	10 W	290110	15 W
115 V AC/DC	290106	10 W	290116	15 W
48 V AC/DC	290102	10 W	290112	15 W
24 V AC/DC	290103	10 W	290113	15 W



Dimensions [mm]	TMEx35	TMEx40
A	108	134
B	105	110
C	51	71
D	15	24
E	28.5	33
F	42	66
Mass [kg]	0.5	0.95