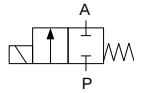
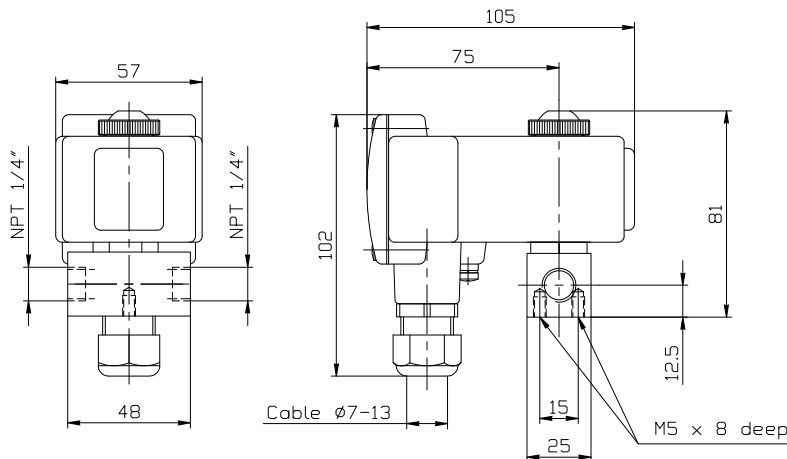


Model HD2N – 2/2 NC (Closed when de-energised)

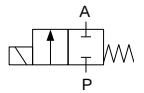


Ports	Orifice Size [mm]	Kv (water at 1 bar) [l/min]	Differential pressure [bar]		Material		Mass [kg]	Coil type	Voltage	Power [W]	Order code
			min	max	body	seal					
NPT 1/4"	1	0.29	0	200	AISI 316L	PCTFE	0.8	TMEx35	24V DC	10	326761
				300	AISI 316L	PCTFE	0.8	Ex35P	24V AC/DC	80/4*	326770
				500	AISI 316L	PCTFE	0.8	Ex35P	24V AC/DC	80/4*	326780

* 80 W pull, 4 W hold



Model HD1N – 2/2 NC (Closed when de-energised)



Ports	Orifice Size [mm]	Kv (water at 1 bar) [l/min]	Differential pressure [bar]		Material		Mass [kg]	Coil type	Voltage	Power [W]	Order code
			min	max	body	seal					
9/16"-18 Cone & Thread	0.7	0.22	0	700	AISI 316L	PEEK	1.0	Ex35P	24V DC	80/4*	326740
	0.5	0.13	0	1000	AISI 316L	PEEK	1.0	Ex35P	24V AC/DC	80/4*	326750

* 80 W pull, 4 W hold

