



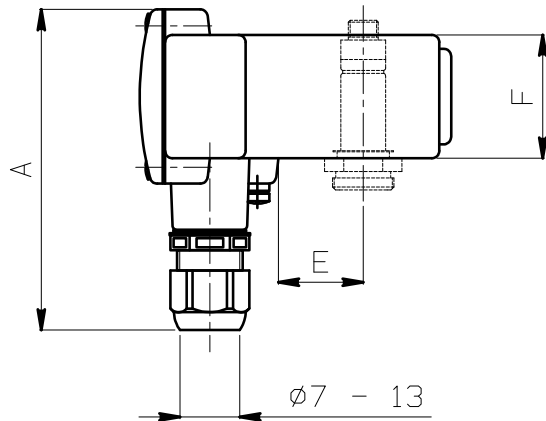
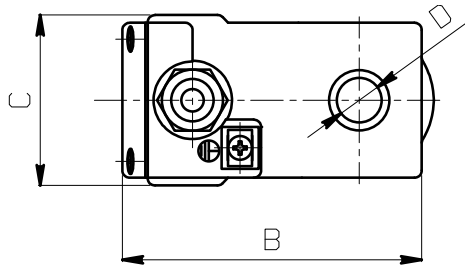
FEATURES:

- **ALL JAKŠA solenoid valves are available in explosion proof version**
- integrated thermal and cartridge fuses for maximum safety
- integrated, easily accessible terminal (Ex e I/II)
- durable design
- suitable for use in hazardous areas zone 1 and 2 (presence of explosive gas, vapour and mist)

Visit www.jaksa.si for complete solenoid valve product range!

TECHNICAL DATA - SOLENOIDS:

| Voltage | TMEx35 | | TMEx40 | |
|----------------------|------------|-------|------------|-------|
| | Order code | Power | Order code | Power |
| 230 V AC 200 V DC | 290100 | 10 W | 290110 | 15 W |
| 115 V AC/DC | 290106 | 10 W | 290116 | 15 W |
| 48 V AC/DC | 290102 | 10 W | 290112 | 15 W |
| 24 V AC/DC | 290103 | 10 W | 290113 | 15 W |
| 12 V AC/DC | 290107 | 8 W | N/A | N/A |



| Dimensions [mm] | TMEx35 | TMEx40 |
|-----------------|--------|--------|
| A | 108 | 134 |
| B | 105 | 110 |
| C | 51 | 71 |
| D | 15 | 24 |
| E | 28.5 | 33 |
| F | 42 | 66 |
| Mass [kg] | 0.5 | 0.95 |