

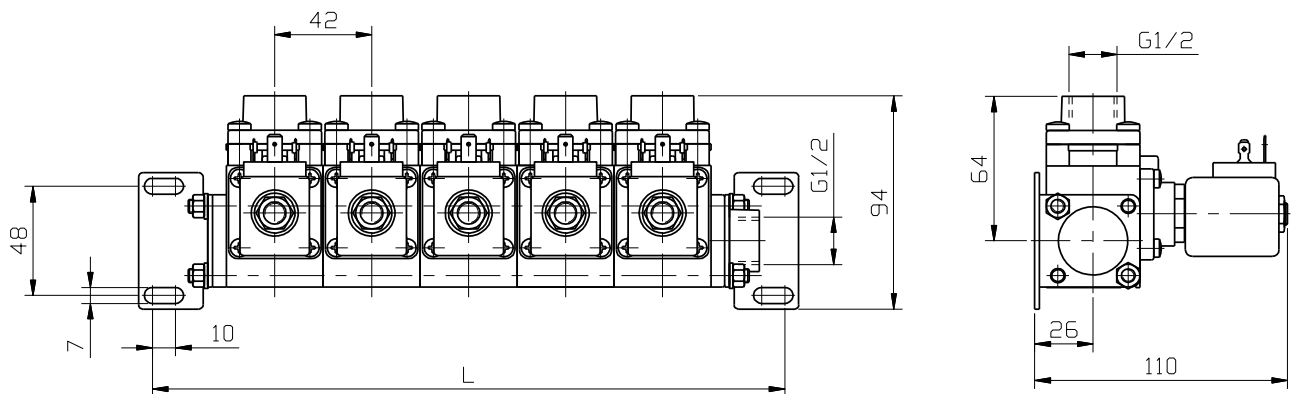
### DESCRIPTION:

Manifold valve of modular design allows any number of modules and configurations. Basic element is a 2/2 pilot operated solenoid valve with NC or NO function (depending on actuator). Valve block may have 1 or 2 inlet and 2 to 8 outlet ports. Modules can be separated by a bulk wall if 2 inlets are used.

### TECHNICAL DATA:

- **Valve type:** MB-2...MB-8
- **Function:** 2/2 NC or NO
- **Ports:** G1/2
- **Orifice diameter:** 10 mm
- **Operating pressure:** 0.3 - 6 bar
- **Response time:** 10 - 20 ms
- **Flow coefficient kv:** 20 l/min (for water at 1 bar)
- **Coil type:** TM30
- **Voltage:** 12/24 V DC; 24/48/115/230 V AC
- **Power consumption:** 7 W
- **Materials:** valve body - Polyamide; valve bonnet and connections - Brass (CuZn39Pb3); internal parts - brass and stainless steel (1.4305, 1.4104)
- **Seals:** NBR, EPDM or FPM

### DIMENSIONS [mm]:



No. of modules	Valve type	Length L
2	MB-2	148
3	MB-3	190
4	MB-4	232
5	MB-5	274
6	MB-6	316
7	MB-7	358
8	MB-8	400