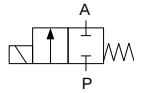
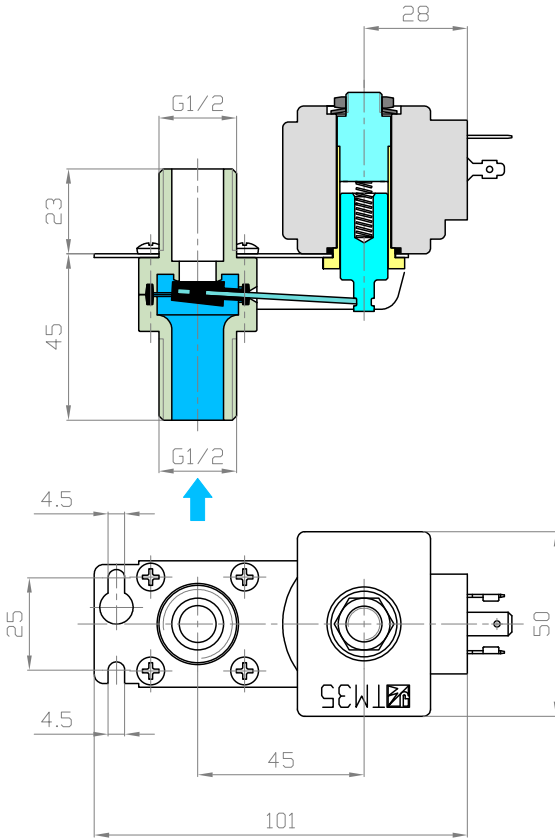


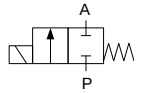
**DL10 AXIAL SOLENOID VALVE WITH POLYPROPYLENE BODY, CLOSED WHEN DE-ENERGISED (NC)**



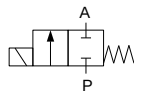
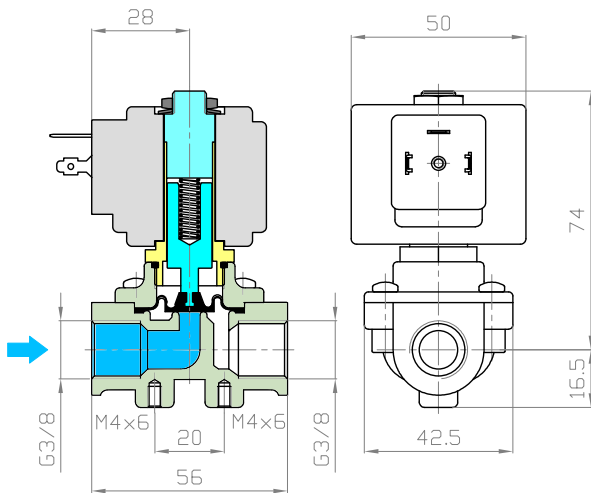
Ports	Orifice Size [mm]	Flow coefficient Kv [l/min] water at 1 bar	Differential pressure [bar]		Material		Mass [kg]	Coil type	Model	Voltage	Power [W]	Order code
			min	max	body	seal						
G1/2	10	20	0	1.8	PP	EPDM	0.45	TM35	DL10	24 V DC	18	339834
										12 V DC	18	339831



## DL6 DIAPHRAGM VALVE WITH POLYPROPYLENE BODY, CLOSED WHEN DE-ENERGISED (NC)



Ports	Orifice Size [mm]	Flow coefficient Kv [l/min] water at 1 bar	Differential pressure [bar]		Material		Mass [kg]	Coil type	Model	Voltage	Power [W]	Order code
			min	max	body	seal						
G3/8	6	12	0	2	PP	FPM	0.38	TM35	DL6	24 V DC	12	339028
										12 V DC	12	339017



## D2PN AXIAL VALVE WITH STAINLESS STEEL BODY, CLOSED WHEN DE-ENERGISED (NC)

Ports	Orifice Size [mm]	Flow coefficient Kv [l/min] water at 1 bar	Differential pressure [bar]		Material		Mass [kg]	Coil type	Model	Voltage	Power [W]	Order code
			min	max	body	seal						
G1/4	5	7.8	0	2	INOX	NBR	0.4	TM35	D2PN	24 V DC	18	399845
										12 V DC	18	399846

