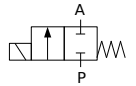


NC (closed when de-energised)

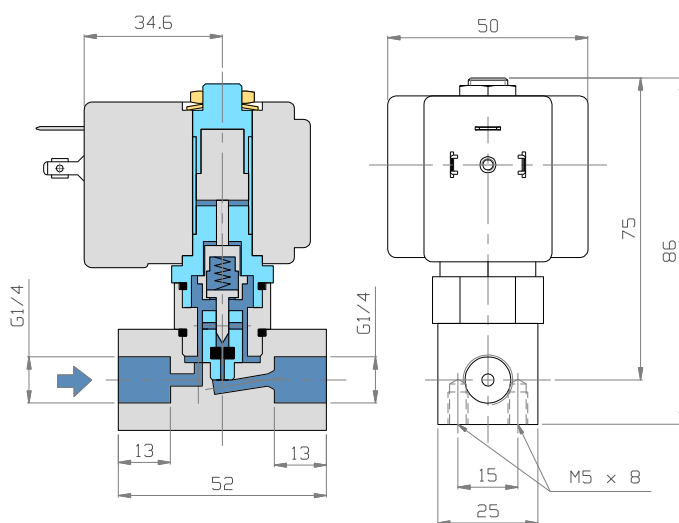


Ports	Orifice size [mm]	Kv [l/min] (water at 1 bar)	Differential pressure [bar]		Material		Mass [kg]	Coil type	Model	Voltage	Power [W]	Order code			
			min	max	body	seal									
1/4" NPT	1.0	0.29	0	500	INOX	PCTFE	0.52	TM35	D2N	105 V DC*	12	320865			
				24 V DC	16	320883									
				400	INOX	PCTFE				0.52	TM35	D2N	24 V DC	12	320864
G1/4	1.0	0.29	0	500	INOX	PCTFE	0.52	TM35	D2N	200 V DC*	10	320880			
				24 V DC	18	320867									
				400	INOX	PCTFE				0.52	TM35	XD2N	230 V AC	8	320866
				XD2N	24 V DC	12			320824						
					350	INOX			PCTFE	0.52	TM35	XD2N	230 V AC	16	320877
					24 V DC	18			320863						
XD2N	24 V DC	12	320873												

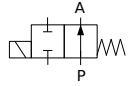
*Connected to 230 V AC or 115 V AC through plug with built-in rectifier (included).

Dimensions

Order code	A	B
320864, 320865, 320867, 320873, 320880, 320883	52	13
320824, 320863, 320866, 320877	40	7

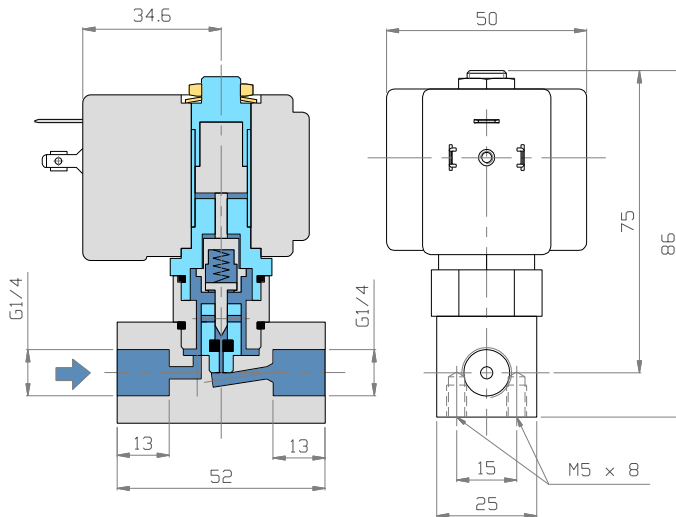


NO (open when de-energised)



Ports	Orifice size [mm]	Kv [l/min] (water at 1 bar)	Differential pressure [bar]		Material		Mass [kg]	Coil type	Model	Voltage	Power [W]	Order code
			min	max	body	seal						
G1/4	1.0	0.29	0	400	INOX	PCTFE	0.52	TM35	D22NNO	24 V AC/DC	80/4*	329990

*80 W pull / 4 W hold



FEATURES:

- Special design and sealing material
- Excellent sealing also at low pressure (around 10 bar) and with gaseous fluids