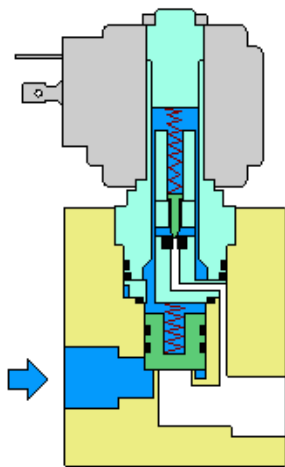


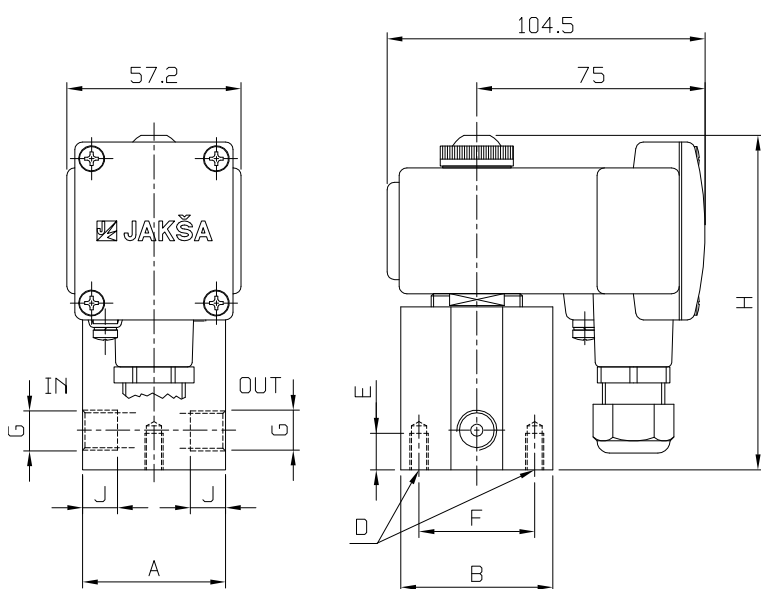
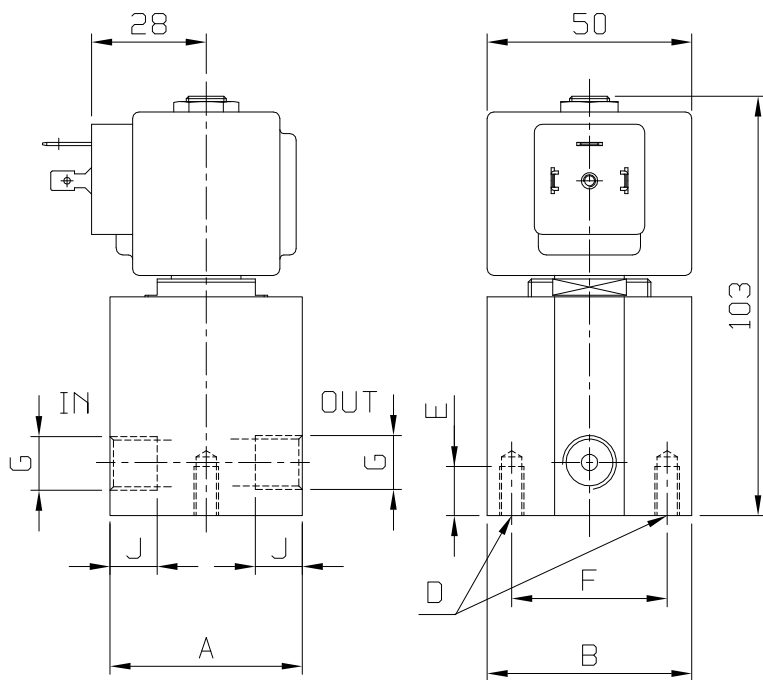
Ports	Orifice Size [mm]	Flow coefficient kv [l/min] water at 1 bar	Differential pressure [bar]		Material		Mass [kg]	Coil type	Model	Voltage	Power [W]	Order code
			min	max	body	seal						
G3/8	8.5	17.9	10	250	INOX	PEEK	1.8	TM35	BH2	230 V AC	8	316182
										24 V DC	12	316189
								TME35	BH2	24 V AC/DC	10	316180
				350	INOX	PEEK	1.8	TM35	BH2	230 V AC	8	316201
										24 V DC	12	316202
								TME35	BH2	24 V AC/DC	10	316204
G1/4	5	8.5	10	250	INOX	PEEK	1.2	TM35	BH4	200 V DC	10	316191
										24 V DC	12	316192
								TME35	BH4	24 V AC/DC	10	316194
				350	INOX	PEEK	1.2	TM35	BH4	200 V DC	10	316186
										24 V DC	12	316193
								500	INOX	PEEK	1.2	TM35
24 V DC	10	316197										
TME35	BH4	24 V AC/DC	10	316199								

*PEEK is a non-elastic sealing material, therefore a slight leakage on valve seat can be expected at low fluid pressure.

OPTIONS:

- Other supply voltages
- SAE 6 ported valve body
- Suitable for gases and liquids





Model	A	B	C	D	E	F	G	H	J
BH2	55	60	113	M8	18	40	G3/8	120	12.5
BH4	54	60	103	M6	12	38	G1/4	110	13

Version with explosionproof coil TMEx35 II 2G Ex eb mb IIC T4/T5 Gb

NO (open when de-energised)

Ports	Orifice Size [mm]	Flow coefficient kv [l/min] water at 1 bar	Differential pressure [bar]		Material		Mass [kg]	Coil type	Model	Voltage	Power [W]	Order code
			min	max	body	seal						
G1/4	5	8.5	10	500	INOX	PEEK	1.4	TM35H	BH4NO	24 V AC/DC	80/4*	315255

*80 W pull / 4 W hold

