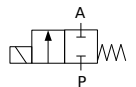


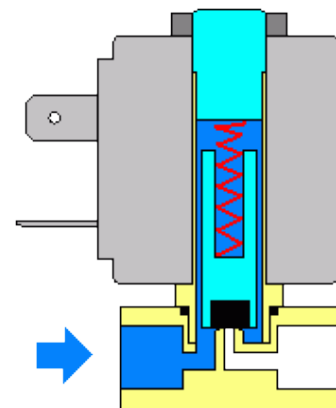
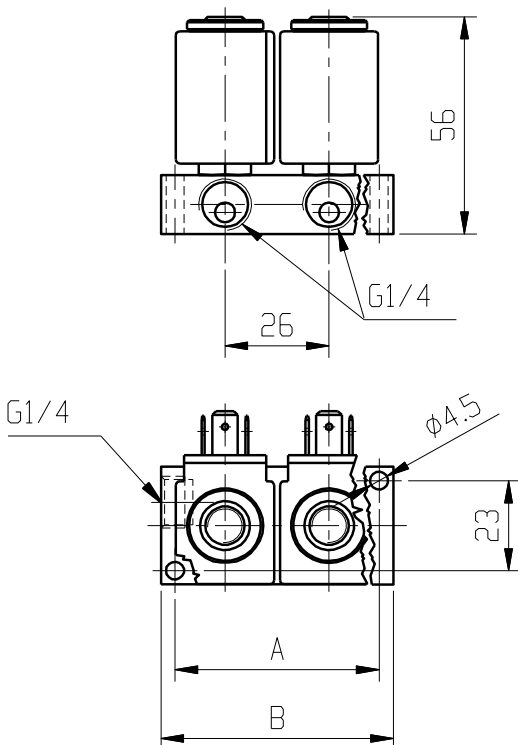
TECHNICAL DATA:

- **Internal parts:** stainless steel
- **Fluid temperature:** -10°C to +90°C
- **Ambient temperature:** max +55°C
- **Viscosity:** max 21 mm²/s
- **Response time:** 10 - 20 ms
- **Voltage:** 12/24 V DC; 24/48/115/230 V AC
- **Duty cycle:** continuous (ED100%)
- **Cycling rate:** max 1000 cpm
- **Electrical protection:** IP65
(with plug to ISO 4400)

Closed when de-energised (NC)



No. of outlets	Ports	Orifice size [mm]	Kv [l/min] (water at 1 bar)	Differential pressure [bar]		Body	Seal	Coil type	Voltage	Power [W]	Model	Order code
				min	max							
2	G1/4	4.5	4.6	0	3.4	Brass	NBR	TM25	230 V AC	4	XD402	319442
					2.3	Brass	NBR	TM25	24 V DC	6	XD402	319439
3	G1/4	4.5	4.6	0	3.4	Brass	NBR	TM25	230 V AC	4	XD403	319443
					2.3	Brass	NBR	TM25	24 V DC	6	XD403	319445
4	G1/4	4.5	4.6	0	3.4	Brass	NBR	TM25	230 V AC	4	XD404	319441
					2.3	Brass	NBR	TM25	24 V DC	6	XD404	319438
						Brass	NBR	TM25	12 V DC	6	XD404	319436



Model	A	B
XD402	51	58
XD403	77	84
XD404	103	110