

Ports (ISO 228)	Orifice size [mm]	Kv (water at 1 bar) [l/min]	Differential pressure [bar]		Valve body	Seal	Mass [kg]	Coil type	Voltage	Model	Order code	Fig.
			Min	Max AC*								

Valves in plastic housings, pilot operated diaphragm, closed when de-energised (NC)

G3/4	7.3	17	0.3	10	POM	EPDM	0.1	TM11	230VAC	1090	311210	1
	7.3	17	0.3	10	POM	EPDM	0.1	TM11	230VAC	1180	312210	2
M12x1	5.5	9.5	0.3	10	PA	EPDM	0.1	TM11	230VAC	1090	311212	3
	5.5	9.5	0.3	10	PA	EPDM	0.3	TM11	230VAC	3000	315211	4
G3/4	7.3	17	0.3	10	PA	EPDM	0.2	TM11	230VAC	2180	314210	5
	7.3	17	0.3	10	PA	EPDM	0.3	TM11	230VAC	3180	316209	6

Beer tapping valve, direct acting, closed when de-energised (NC)

G1/4	5	7.8	0	2	Ms	NBR	0.42	TM35	24VDC	D2P	399856	7
------	---	-----	---	---	----	-----	------	------	-------	-----	---------------	---

Valve for dental appliances, pilot operated diaphragm, closed when de-energised (NC)

FL35	5	7.8	0.3	8	PA	NBR	0.15	TM25	24VDC	PA207	301640	8
------	---	-----	-----	---	----	-----	------	------	-------	-------	---------------	---

Fuel supply shut-off valve, direct acting, closed when de-energised (NC)

Ø6	4	5.9	0	2	Ms	NBR	0.26	TM30	12VDC	D115	380051	9
----	---	-----	---	---	----	-----	------	------	-------	------	---------------	---

*Pressure is lower when DC coil is used!

ORDERING:

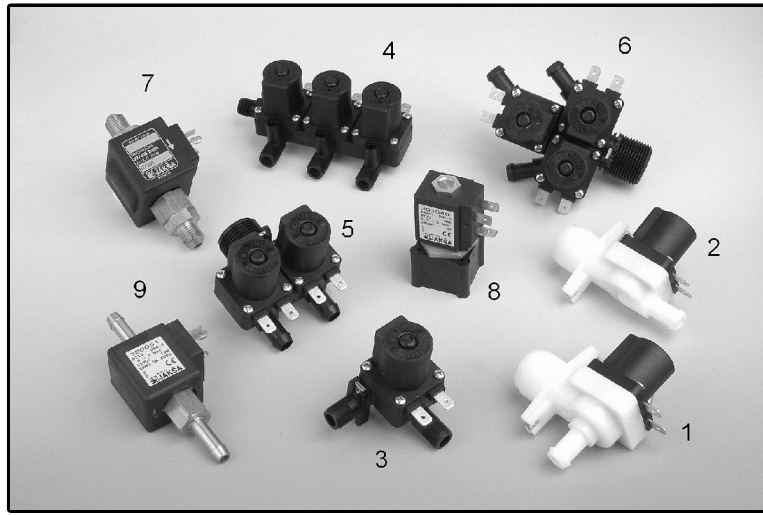
Please state order code, seal and voltage (e.g.: 311210 NBR 24VAC) or consult our staff.
For easier valve choice use QUESTIONNAIRE on page 40.

Other versions on request.

Specifications are subject to change without notice.

TECHNICAL DATA:

Internal parts: stainless steel
 Seals: NBR, EPDM
 Fluid temperature: max +90°C
 Ambient temperature: max +50°C
 Viscosity: max 21 mm²/s
 Voltages: 230, 115, 48, 24 V 50/60 Hz
 24, 12 V DC
 Power consumption: see chapter »Coils«
 Duty cycle: continuous (ED100%)
 Cycling rate: 10 – 100 cpm
 IP rating: IP65 (with plug to DIN 43650)
 IP54 (TM11 coil)



Dimensions [mm]:

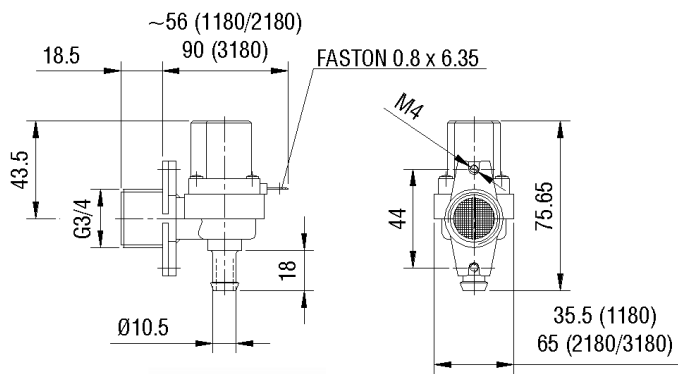


Fig. 1, 2, 5, 6

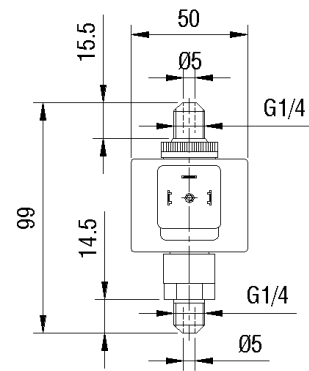


Fig. 7

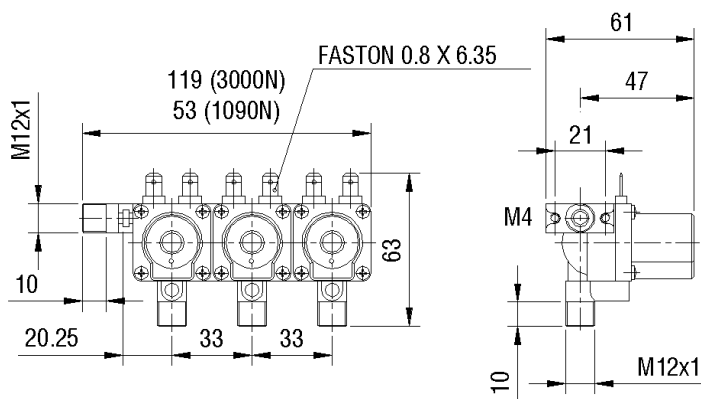


Fig. 3 + 4

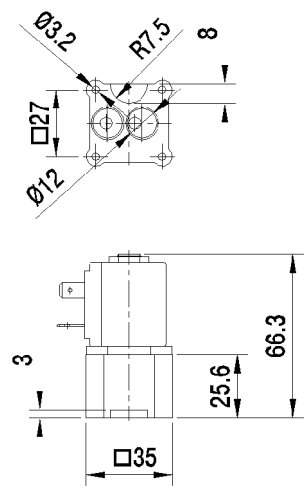


Fig. 8

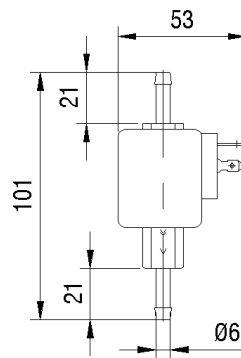


Fig. 9