

LIQUID NITROGEN VALVES, 2/2 closed when de-energised (NC)

| Ports (ISO 228) | Orifice size [mm] | Kv (water at 1 bar) [l/min] | Differential pressure [bar] | | Valve body | Seal | Mass [kg] | Coil type | Model | Order code 230VAC coil | Fig. |
|--------------------|----------------------|-----------------------------------|--------------------------------|---------|---------------|------|--------------|--------------|-------|------------------------------|------|
| | | | Min | Max AC* | | | | | | | |
| G1/4 | 3 | 3.6 | 0 | 30 | Brass | PTFE | 0.52 | TM35 | D222 | 320586 | 1 |
| | 4.5 | 7.5 | 0 | 10 | Brass | PTFE | 0.52 | TM35 | D223 | 320772 | 1 |
| G1/2 | 7 | 13 | 0 | 5 | Brass | PTFE | 0.52 | TM35 | D224 | 320781 | 1 |
| | 10 | 28 | 0 | 1.5 | Brass | PTFE | 0.57 | TM35 | XD24 | 340459 | 2 |
| G1 | 25 | 180 | 0.35 | 15 | Brass | PTFE | 1.51 | TM35 | B26C | 316501 | 3 |

*Pressure is lower when DC coil is used!

VALVES FOR OTHER APPLICATIONS AVAILABLE ON REQUEST. PLEASE INQUIRE.

ORDERING:

Please state order code and voltage (e.g.: 320722 24VAC) or consult our staff.
For easier valve choice use QUESTIONNAIRE on page 40.

OPTIONS:

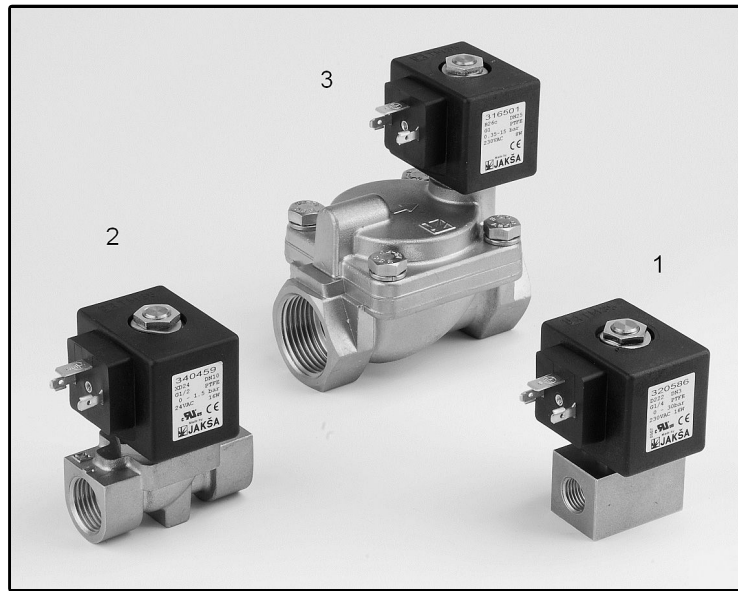
- EEx me II explosionproof coils
- NPT ports

Other versions on request.

Specifications are subject to change without notice.

TECHNICAL DATA:

Internal parts: stainless steel
 Seals: PTFE
 Fluid temperature: -196°C to +90°C
 Ambient temperature: max +50°C
 Viscosity: max 21 mm²/s
 Response time: closing 8 – 40 ms
 Voltages: 230, 115, 48, 24 V 50/60 Hz
 24, 12 V DC
 Power consumption: see chapter »Coils«
 Duty cycle: continuous (ED100%)
 Cycling rate: 10 – 100 cpm
 IP rating: IP65 (with plug to DIN 43650)



Dimensions [mm]:

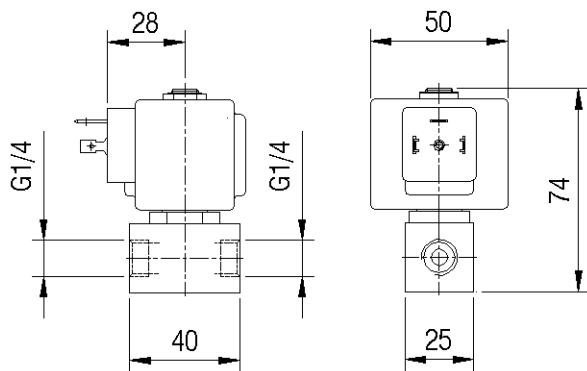


Fig. 1

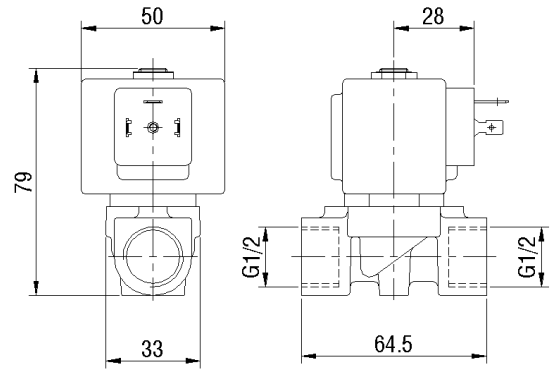


Fig. 2

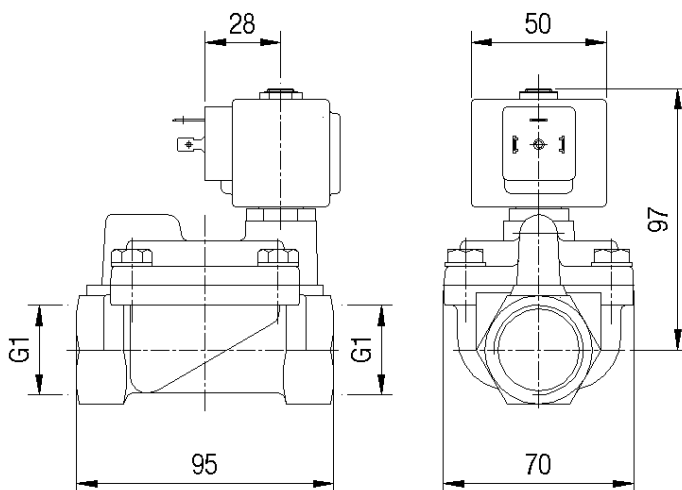


Fig. 3

