

Ports (ISO 228)	Orifice size [mm]	Kv (air at 1 bar) [m³/h]	Differential pressure [bar]		Valve body	Seal	Mass [kg]	Coil type	Model	Order code 230VAC coil	Fig.
			Min	Max AC							

**Closed when de-energised (NC)**

**SAFETY SHUT-OFF VALVES**

G1/2	12	162	0	0.5	Brass	NBR	0.6	TM35	PV4NC	<b>350491</b>	1
G3/4	18	324	0	0.5	Brass	NBR	0.8	TM35	PV5NC	<b>350494</b>	1
G1	25	660	0	0.5	Brass	NBR	1.2	TM35	PV6NC	<b>350493</b>	1
G6/4	40	1230	0	0.5	Brass	NBR	2.4	TM35	PV7NC	<b>350492</b>	1
G2	50	2268	0	0.5	Brass	NBR	4.5	TM35	PV8NC	<b>350495</b>	1

**EN 161  
Certified**

**Open when de-energised (NO)**

**SAFETY SHUT-OFF VALVES**

G1/2	12	162	0	0.5	Brass	NBR	0.4	TM30	PV4NO	<b>350497</b>	1
G3/4	18	324	0	0.5	Brass	NBR	0.6	TM30	PV5NO	<b>350514</b>	1
G1	25	660	0	0.5	Brass	NBR	1	TM30	PV6NO	<b>350498</b>	1
G6/4	40	1230	0	0.5	Brass	NBR	2.2	TM30	PV7NO	<b>350499</b>	1
G2	50	2268	0	0.5	Brass	NBR	4.4	TM30	PV8NO	<b>350500</b>	1

**EN 161  
Certified**

PV and PVNC valves are to be used with gas detectors exclusively!

**Closed when de-energised (NC)**

**PROCESS VALVES**

G1/2	10	90	0	0.8	Brass	NBR	0.42	TM30	D240	<b>340498</b>	2
	10	90	0	1	Brass	NBR	0.58	TM35	D240	<b>340704</b>	2
G3/4	18	324	0	1	Brass	NBR	0.8	TM35	M2521	<b>301697</b>	3
G1	25	660	0	1	Brass	NBR	1.2	TM35	M2621	<b>301698</b>	3
G6/4	40	1230	0	1	Brass	NBR	2.75	TM40	M275	<b>370810</b>	3
G2	50	2268	0	1	Brass	NBR	5.9	TM40	M282	<b>391491</b>	3

**EN 161  
Certified**

**Closed when de-energised (NC)**

**FOR GAS BOTTLES**

*	2	6	0	10	Brass	NBR	0.42	TM30	PL3	<b>350487</b>	5
*	2	6	0	10	Brass	NBR	0.6	TM30	PL10	<b>350486</b>	4

\* See drawing!

**ORDERING:**

Please state order code or consult our staff.  
For easier valve choice use QUESTIONNAIRE on page 40.

**OPTIONS:**

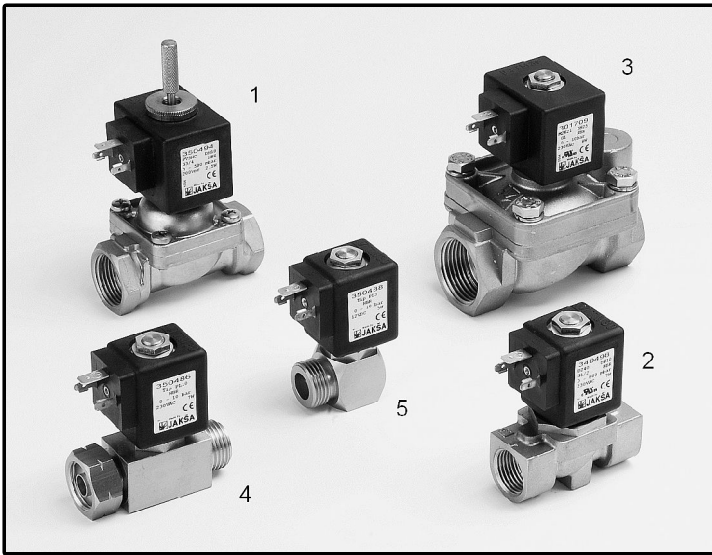
- EEx me II explosionproof coils

Other versions on request.

Specifications are subject to change without notice.

**TECHNICAL DATA:**

Internal parts: stainless steel  
 Seals: NBR  
 Fluid temperature: -10°C to +60°C  
 Ambient temperature: max +50°C  
 Viscosity: max 21 mm²/s  
 Response time: closing 10 to 30 ms / manual opening  
 Voltages: 230, 115, 48, 24 V 50/60 Hz  
 24, 12 V DC  
 PV and PVNC 230VAC only  
 Power consumption: see chapter »Coils«  
 Duty cycle: continuous (ED100%)  
 IP rating: IP65 (with plug to DIN 43650)



**Dimensions [mm]:**

22.5 (TM30)  
28 (TM35)

30 (TM30)  
50 (TM35)

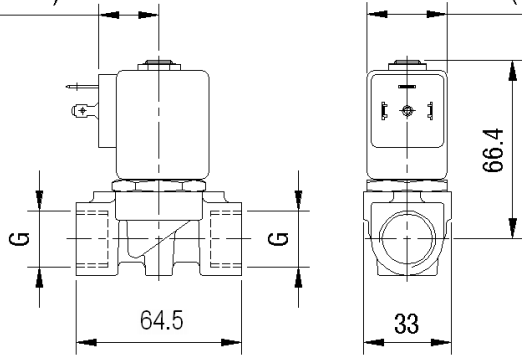


Fig. 2

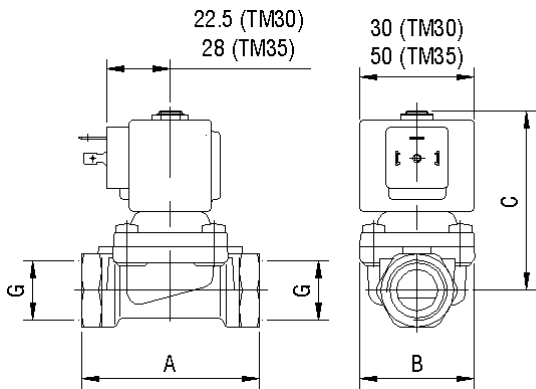


Fig. 3

Model	G	A	B	C
M2521	3/4"	78	50	85
M2621	1"	95	70	90
M275	6/4"	132	96	147
M282	2"	160	112	154

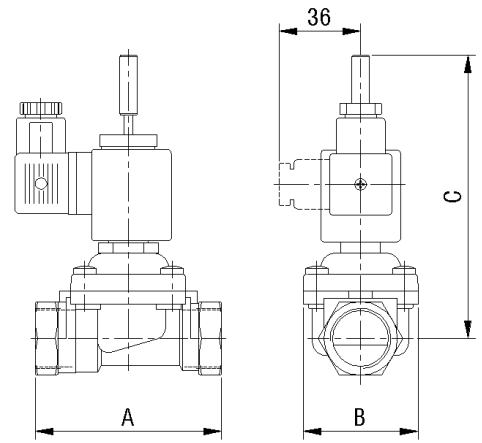


Fig. 1

Model	G	A	B	C
PV4NC/NO	1/2"	58	41	116
PV5NC/NO	3/4"	78	50	120
PV6NC/NO	1"	95	70	129
PV7NC/NO	6/4"	132	96	152
PV8NC/NO	2"	160	112	150

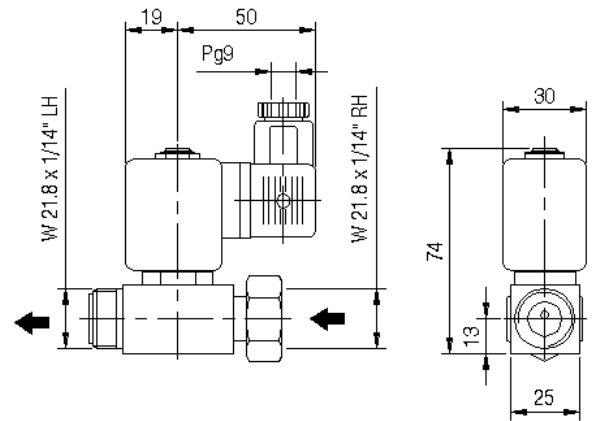


Fig. 4

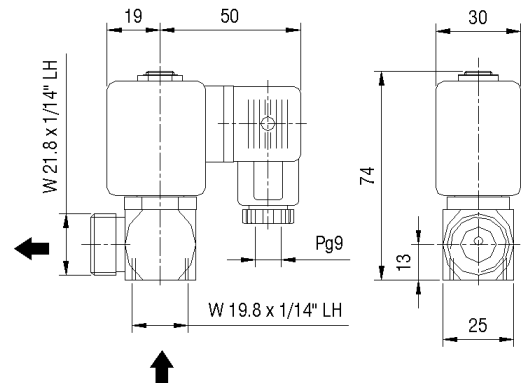


Fig. 5