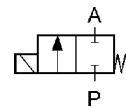


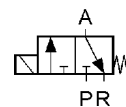
2/2 Closed when de-energised (NC)

Ports (ISO 228)	Orifice size [mm]	Kv (water at 1 bar) [l/min]	Differential pressure [bar]		Valve body	Seal	Mass [kg]	Coil type	Model	Order code (230VAC coil)	Fig.
			Min	Max AC*							
G3/8	6	14	0	0.4	PP	FPM	0.27	TM30	DL6	339004	1
	6	14	0	2.5	PP	FPM	0.38	TM35	DL6	339002	1
G3/8	11	38	0	0.15	PP	FPM	0.27	TM30	DL11	339025	1
G1/2	10	20	0	1.8	PP	EPDM	0.45	TM35	DL10	339830	2
	10	20	0	1.8	PP	FPM	0.45	TM35	DL10	339820	2
G1/2	8	15	0	1	PP	EPDM	0.47	TM35	D249	312710	3
	8	15	0	1	PP	FPM	0.47	TM35	D249	312711	3



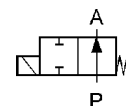
3/2 Closed when de-energised (NC)

G1/2	10	20	0	0.5	PP	EPDM	0.45	TM35	DL10R	339852	4
------	----	----	---	-----	----	------	------	------	-------	---------------	---



2/2 Open when de-energised (NO)

G3/8	6	14	0	0.4	PP	FPM	0.43	TM35	DL6NO	339680	1
	11	38	0	0.15	PP	FPM	0.43	TM35	DL11NO	339708	1



*Pressure is lower when DC coil is used!

ORDERING:

Please state order code, seal and voltage from above table (e.g.: 339004 NBR 24VAC) or consult our staff. For easier valve choice use QUESTIONNAIRE on page 40.

OPTIONS

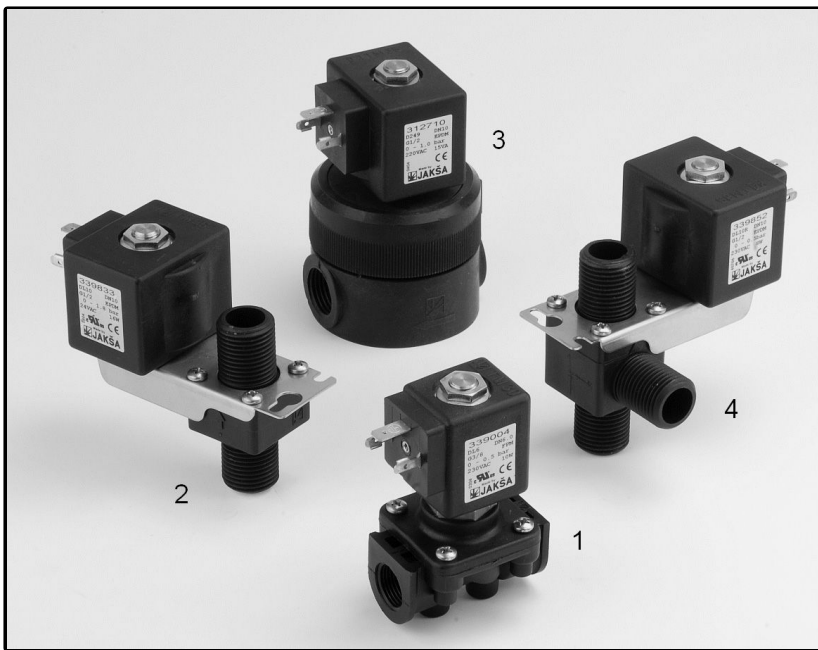
- EEx me II explosionproof coils

Other versions on request.

Specifications are subject to change without notice.

TECHNICAL DATA:

Internal parts:	not in contact with fluid
Seals:	NBR, EPDM, FPM
Fluids:	neutral or aggressive
Fluid temperature:	-10°C to +95°C
Ambient temperature:	max +55°C
Viscosity:	max 21 mm ² /s
Response time:	10 – 20 ms
Voltage:	230, 115, 48, 24 V 50/60 Hz 24, 12 V DC
Power consumption:	see chapter »Coils«
Duty cycle:	continuous (ED100%)
Cycling rate:	10 – 100 cpm
IP rating:	IP65 (with plug to DIN 43650)



Dimensions [mm]:

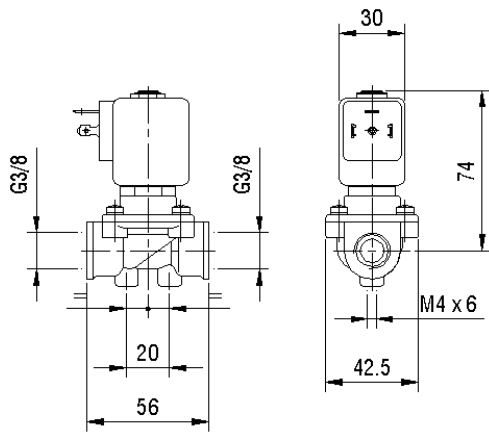


Fig. 1

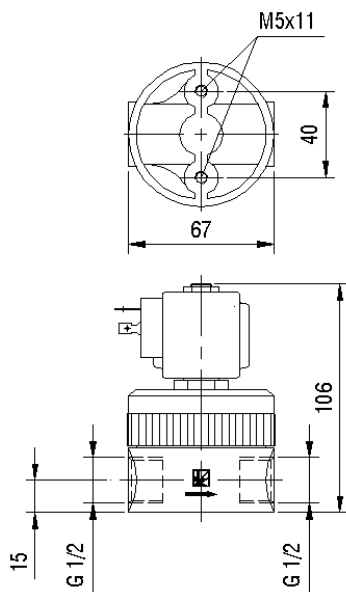


Fig. 3

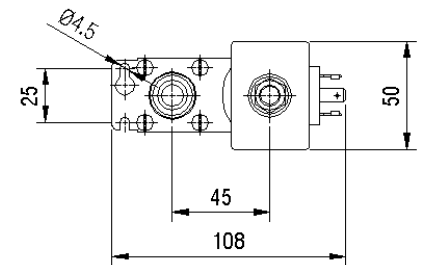
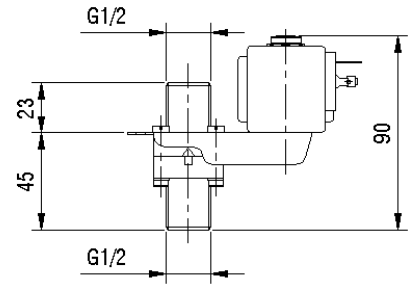


Fig. 2

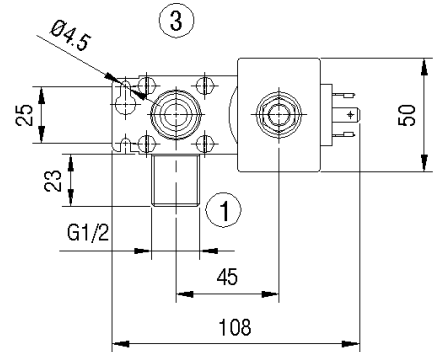
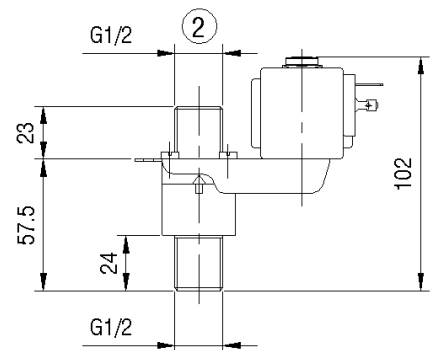


Fig. 4