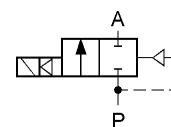
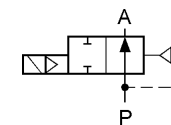


Closed when de-energised (NC)

| Ports | Orifice size [mm] | Kv value (water at 1 bar) [l/min] | Differential pressure [bar] | | Valve body | Mass [kg] | Coil type | Model | Order code 230VAC NBR seal | Fig. |
|-------|----------------------|--|--------------------------------|---------|---------------|--------------|-----------|-------|----------------------------------|------|
| | | | Min | Max AC* | | | | | | |
| G1/2 | 12 | 40 | 0 | 10 | Brass | 0.43 | TM30 | M2451 | 301702 | 1 |
| G3/4 | 18 | 65 | 0 | 10 | Brass | 0.8 | TM35 | M2521 | 301701 | 2 |
| G1 | 25 | 180 | 0 | 10 | Brass | 1.2 | TM35 | M2621 | 301709 | 3 |
| G6/4 | 40 | 330 | 0 | 1 | Brass | 2.75 | TM40 | M275 | 370810 | 4 |
| G2 | 50 | 630 | 0 | 1 | Brass | 5.9 | TM40 | M282 | 391491 | 5 |


Open when de-energised (NO)

| | | | | | | | | | | |
|------|----|-----|---|---|-------|------|------|---------|---------------|---|
| G1/2 | 10 | 40 | 0 | 1 | Brass | 0.43 | TM35 | M2451NO | 301690 | 1 |
| G3/4 | 18 | 65 | 0 | 1 | Brass | 0.76 | TM35 | M2521NO | 301685 | 2 |
| G1 | 25 | 180 | 0 | 1 | Brass | 1.2 | TM35 | M2621NO | 301676 | 3 |
| G6/4 | 40 | 330 | 0 | 1 | Brass | 2.75 | TM40 | M275NO | 370850 | 4 |
| G2 | 50 | 630 | 0 | 1 | Brass | 5.9 | TM40 | M282NO | 391496 | 5 |



*Pressure is lower when DC coil is used!

ORDERING:

Please state order code and voltage (e.g.: 301702 24VAC) or consult our staff.

For easier valve choice use QUESTIONNAIRE on page 36.

OPTIONS:

- EEx me II explosionproof coils
- NPT ports

Other versions on request.

Specifications are subject to change without notice.

TECHNICAL DATA:

Internal parts: stainless steel

Seals: NBR, EPDM, FPM

Fluid temperature: -10°C to +85°C (NBR)
-10°C to +130°C (EPDM)
-10°C to +100°C (FPM)

Ambient temperature: max +55°C

Viscosity: max 21 mm²/s

Response time: opening 0.1 to 1 s / closing 0.5 to 5 s

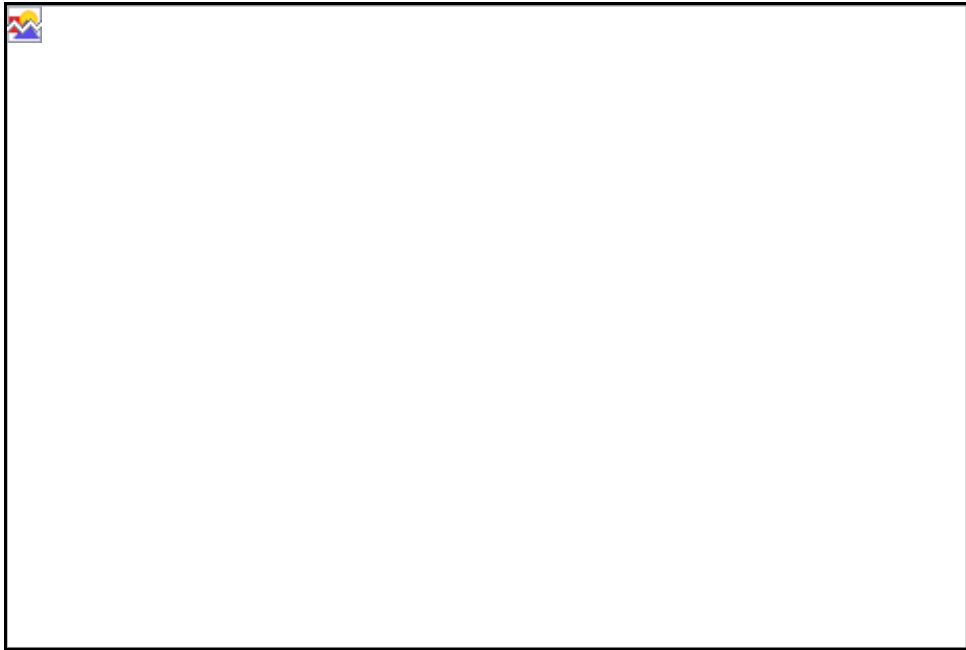
Voltages: 230, 115, 48, 24 V 50/60 Hz
24, 12 V DC

Power consumption: see chapter »Coils«

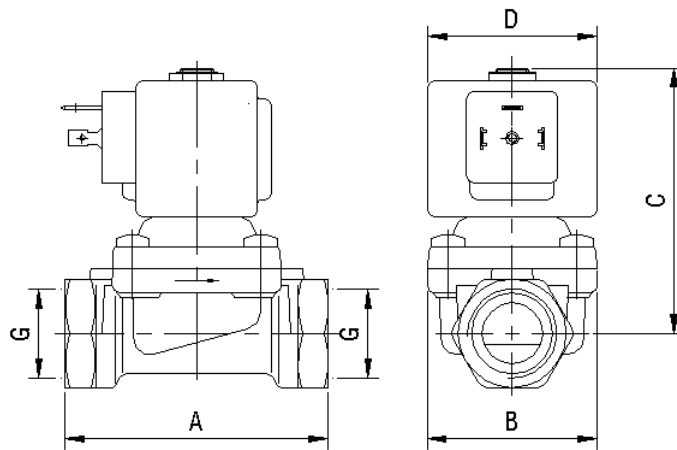
Duty cycle: continuous (ED100%)

Cycling rate: 10 to 100 cpm

Electrical protection: IP65 (with plug to DIN 43650)



Dimensions [mm]:



| Fig. | G | A | B | C | D |
|------|------|-----|-----|-----|----|
| 1 | 1/2" | 58 | 41 | 74 | 30 |
| 2 | 3/4" | 78 | 50 | 78 | 50 |
| 3 | 1" | 95 | 70 | 86 | 50 |
| 4 | 6/4" | 132 | 96 | 129 | 65 |
| 5 | 2" | 160 | 112 | 154 | 65 |