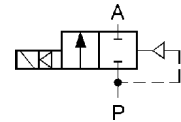


Direct acting, closed when de-energised (NC)

Ports (ISO 228)	Orifice size [mm]	Kv (water at 1 bar) [l/min]	Differential pressure [bar]		Valve body	Seal	Mass [kg]	Coil type	Model	Voltage	Power [W]	Order code	Fig.
			Min	Max									
G1/4	0.9	0.48	0	400	AISI 303	PU	0.52	TM35	D22N	230 VAC	8	320852	1
	1	0.6	0	350	AISI 303	PU	0.52	TM35	D22N	230 VAC	16	320841	1
	1.2	0.75	0	250	AISI 303	PU	0.52	TM35	D22N	230 VAC	8	320756	1
	1.4	0.85	0	200	AISI 303	PU	0.52	TM35	D22N	230 VAC	8	320762	1
	2	1.8	0	150	AISI 303	PU	0.52	TM35	D22N	230 VAC	16	320816	1
	2.3	1.9	0	100	Brass	PU	0.52	TM35	D22	230 VAC	16	320886	1

Only suitable for air and gases. For other fluids please inquire.



Pilot operated piston valves, closed when de-energised (NC)

Ports (ISO 228)	Orifice size [mm]	Kv (water at 1 bar) [l/min]	Differential pressure [bar]		Valve body	Seal	Mass [kg]	Coil type	Model	Voltage	Power [W]	Order code	Fig.
			Min	Max									
G1/4	5	7	0.8	500	AISI 303	PEEK	0.97	TM35	XBS2	12 VDC	18	316141	2
G3/8	8.5	30	10	350	AISI 303	PEEK	1.5	TM35	BH2	230 VAC	16	316185	4
	8.5	30	10	250	AISI 303	PEEK	1.3	TM35	BH2	230 VAC	8	316183	4
	8.5	30	10	250	AISI 303	PEEK	1.3	TMEx35	BH2	230 VAC	10	316181	3
G1/2	15	70	1	120	AISI 303	PA	1.4	TM35	B4N	230 VAC	8	316190	5

ORDERING:

Please state order code and voltage (e.g.: 320852 24VAC) or consult our staff.
For easier valve choice use QUESTIONNAIRE on page 40.

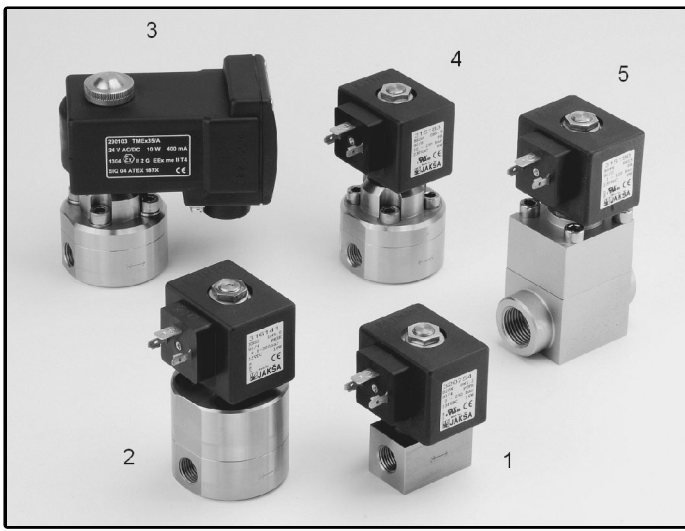
OPTIONS:

- EEx me II explosionproof coil
- NPT ports

Other versions on request. Specifications are subject to change without notice.

TECHNICAL DATA:

- Valve body: brass
stainless steel (AISI 303)
- Internal parts: stainless steel (AISI 303, AISI 430F)
- Fluid temperature: -10°C to +250°C (PEEK)
-10°C to +90°C (PA)
-50°C to +70°C (PU)
- Ambient temperature: max +55°C
- Viscosity: max 21 mm²/s
- Response time: opening 0.1 – 1 s / closing 0.5 – 3 s
- Voltages: 230, 115, 48, 24 V 50/60 Hz
24, 12 V DC
- Duty cycle: continuous (ED100%)
- Cycling rate: 10 – 100 cpm
- IP rating: IP65 (with plug to DIN 43650)



Dimensions [mm]:

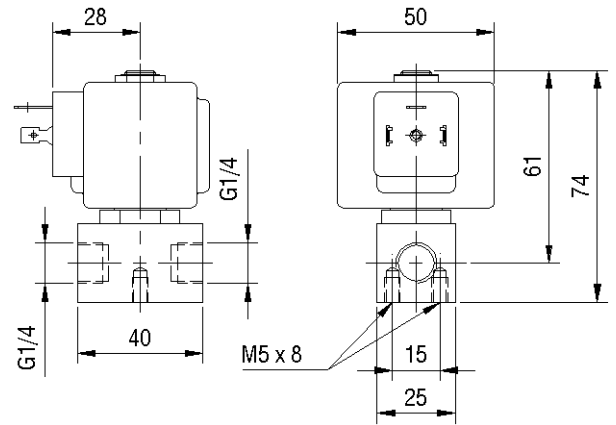


Fig. 1

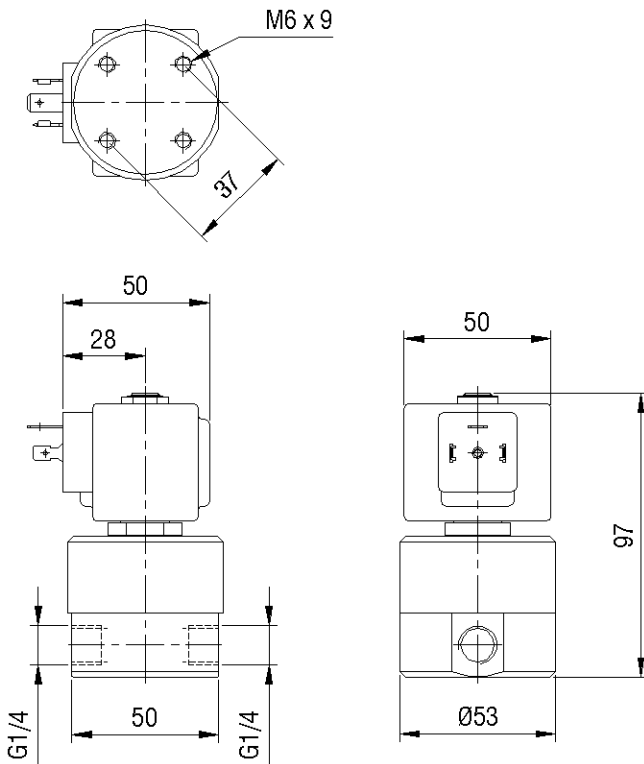


Fig. 2

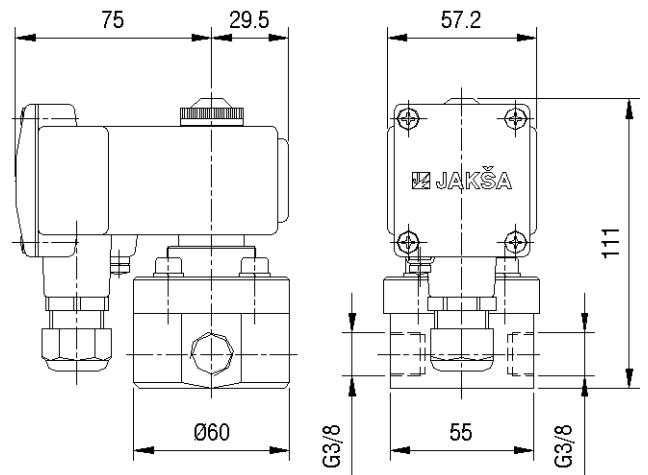


Fig. 3

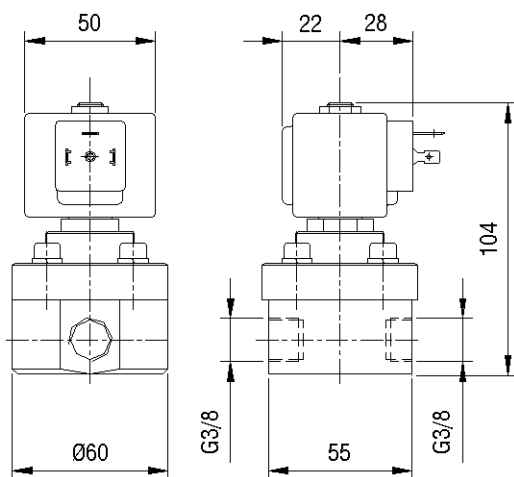


Fig. 4

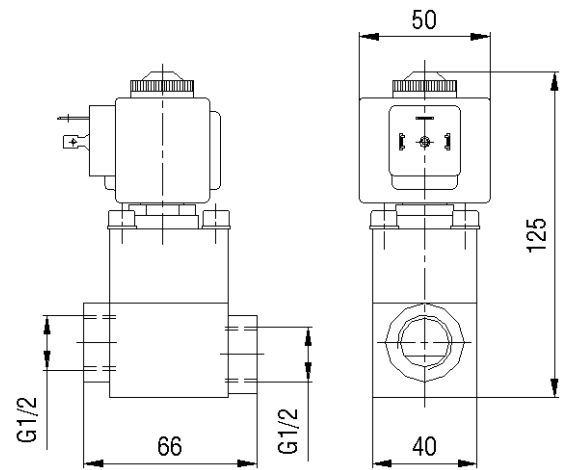


Fig. 5