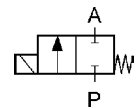


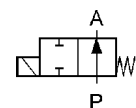
Closed when de-energised (NC)

Ports (ISO 228)	Orifice size [mm]	Kv (water at 1 bar) [l/min]	Differential pressure [bar]		Valve body	Mass [kg]	Coil type	Model	Order code 230VAC NBR seal	Fig.
			Min	Max AC*						
G1/8	1.2	0.75	0	35	Brass	0.14	TM25	D210	320611	1
	1.5	0.85	0	20	Brass	0.14	TM25	D210	320615	1
	2	1.8	0	12	Brass	0.14	TM25	D211	320608	1
G1/8	1.4	0.85	0	75	Brass	0.35	TM30	D220	320513	3
	2	1.8	0	35	Brass	0.35	TM30	D221	320201	3
	3	3.6	0	10	Brass	0.35	TM30	D222	320209	3
G1/4	1	0.6	0	120	Brass	0.52	TM35	D220	320712	3
	1.2	0.75	0	150	Brass	0.52	TM35	D220	320701	3
	1.4	0.85	0	75	Brass	0.35	TM30	D220	320510	3
	2	1.8	0	35	Brass	0.35	TM30	D221	320221	3
	3	3.6	0	10	Brass	0.35	TM30	D222	320229	3
	3	3.6	0	25	Brass	0.52	TM35	D222	320718	3
	4.5	7.5	0	8	Brass	0.35	TM30	D223	320237	3
	4.5	7.5	0	25	Brass	0.52	TM35	D223	320714	3
G3/8	4	7.2	0	8	PA	0.25	TM25	D223PA	320598	5
G3/8	7	13	0	7	Brass	0.52	TM35	D224	320717	3
G1/2	7	13	0	7	Brass	0.52	TM35	D224	320780	3
G1/2	10	25	0	1.2	Brass	0.42	TM30	D240	340499	4
	10	25	0	2	Brass	0.57	TM35	D240	340481	4
Ø6	2.2	1.8	0	10	Brass	0.15	TM25	D201	320610	2



Open when de-energised (NO)

G1/8	1.5	0.85	0	10	Brass	0.14	TM25	D21NO	329612	1
G1/8	2	1.8	0	15	Brass	0.35	TM30	D22NO	329501	3
G1/4	1.2	0.85	0	35	Brass	0.52	TM35	D22NO	329712	3
	2	1.8	0	10	Brass	0.35	TM30	D22NO	329509	3
	3	3.6	0	10	Brass	0.35	TM30	D22NO	329505	3
	4.5	7.5	0	8	Brass	0.52	TM35	D22NO	329705	3
G1/2	10	25	0	1	Brass	0.57	TM35	D240NO	340442	4



Manifold valves (NC)

2 x G1/4	4.5	4.6	0	2	Brass	0.37	TM25	XD402	319442	6
----------	-----	-----	---	---	-------	------	------	-------	---------------	---

*Pressure is lower when DC coil is used!

ORDERING:

Please state order code, seal material and voltage (e.g.: 320611 EPDM 24VAC) or consult our staff.
For easier valve choice use QUESTIONNAIRE on page 40.

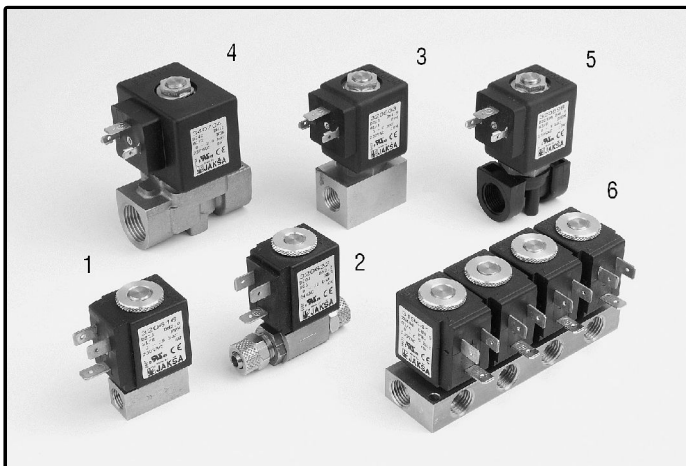
OPTIONS:

- EEx me II explosionproof coil
- stainless steel valve body
- NPT ports

Other versions on request. Specifications are subject to change without notice.

TECHNICAL DATA:

Internal parts: stainless steel
 Seals: NBR, EPDM, FPM, PTFE
 Fluid temperature: -10°C to +90°C (NBR)
 -10°C to +130°C (FPM, PTFE)
 max +130°C (EPDM)
 Ambient temperature: max +55°C
 Viscosity: max 21 mm²/s
 Response time: 10 – 20 ms
 Voltages: 230, 115, 48, 24 V 50/60 Hz
 24, 12 V DC
 Power consumption: See chapter »Coils«
 Duty cycle: continuous (ED100%)
 Cycling rate: max 1000 cpm
 IP rating: IP65 (with plug to DIN 43650)



Dimensions [mm]:

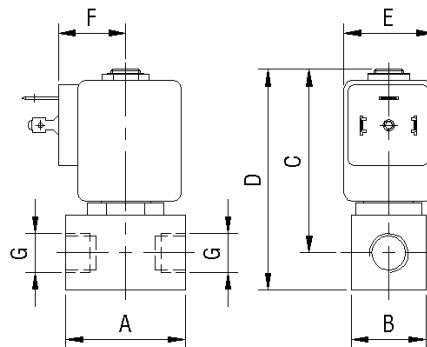


Fig. 2

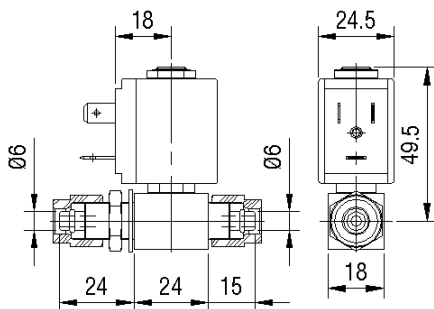
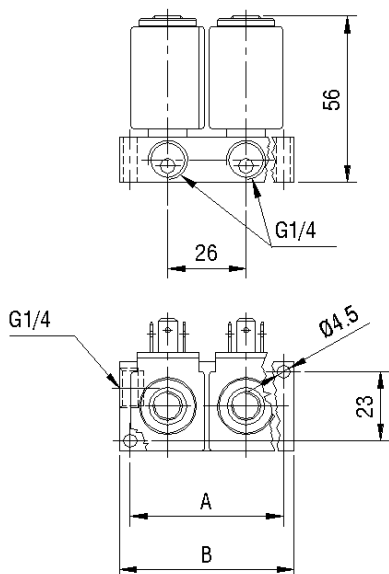


Fig.	A	B	C	D
1	30	14	47.5	54.5
3, 5	40/46*	25	61	74

*G1/2

Coil	E	F
TM25	18	24
TM30	22.5	30
TM35	28	50

Fig. 6



Model	Ports	A	B
XD402	1 + 2	51	58
XD403	1 + 3	77	84
XD404	1 + 4	103	110

Fig. 4

